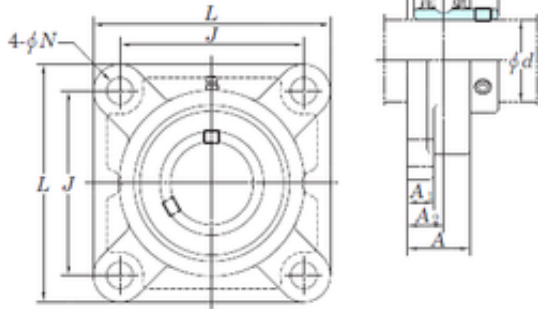




# BEARING PRECISION AXLE CORP.

SKF Snr NTN NSK Koyo Timken Pillow Block  
 Bearing Ucf201 Ucf202 Ucf203 Ucf204 Ucf205  
 Ucf206 Ucf207 Ucf208 Ucf209 Ucf210



Bearing No. Ucf201

|                               |           |
|-------------------------------|-----------|
| Bore Diameter                 | 12 mm     |
| d                             | 12 mm     |
| A0                            | 33,3 mm   |
| A                             | 25,5 mm   |
| A1                            | 11 mm     |
| B                             | 31 mm     |
| J                             | 64 mm     |
| L                             | 86 mm     |
| N                             | 12 mm     |
| S                             | 12,7 mm   |
| Bolt (G)                      | M10       |
| A2                            | 15 mm     |
| Weight                        | 0,64 Kg   |
| Basic dynamic load rating (C) | 12,8 kN   |
| Basic static load rating (C0) | 6,65 kN   |
| Bearing No.                   | UCF201    |
| Bolt size                     | M10       |
| Cr                            | 12.8      |
| C0r                           | 6.65      |
| f0                            | 13.2      |
| (Refer.)Unit mass(kg)         | 0.64      |
| Nipple size                   | 1/4-28UNF |

Ucf201 Bearing 2D drawings and 3D CAD models