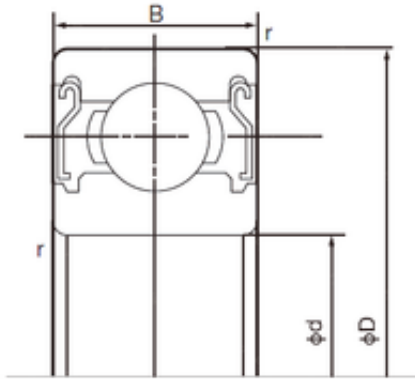




BEARING PRECISION AXLE CORP.

40 mm x 52 mm x 7 mm SUCP206-20 Stainless Steel Pillow Block 1-1/4" Mounted Ball Bearings



Bearing No. 6808ZZE

6808ZZE Bearing 2D drawings and 3D CAD models

| | |
|-------------------------------|--------------------------|
| Size | 40x52x7 mm |
| Bore Diameter | 40 mm |
| Outer Diameter | 52 mm |
| Width | 7 mm |
| d | 40 mm |
| D | 52 mm |
| B | 7 mm |
| C | 7 mm |
| r min. | 0.3 mm |
| da min. | 42 mm |
| Da max. | 50 mm |
| ra max. | 0.3 mm |
| Weight | 0.033 Kg |
| Basic dynamic load rating (C) | 5,95 kN |
| Basic static load rating (C0) | 4,9 kN |
| Category | Single Row Ball Bearings |
| Inventory | 0.0 |
| Manufacturer Name | NACHI |
| Minimum Buy Quantity | N/A |
| Weight / Kilogram | 0.032 |
| EAN | 4991893857931 |
| Product Group | B00308 |
| Enclosure | 2 Metal Shields |
| Precision Class | ABEC 1 ISO P0 |
| Maximum Capacity / Filling | No |



BEARING PRECISION AXLE CORP.

| | |
|---------------------------|--|
| Slot | |
| Rolling Element | Ball Bearing |
| Snap Ring | No |
| Internal Special Features | No |
| Internal Clearance | C0-Medium |
| Inch - Metric | Metric |
| Long Description | 40MM Bore; 52MM Outside Diameter; 7MM Outer Race Diameter; 2 Metal Shields; Ball Bearing; ABEC 1 ISO P0; No Filling Slot; No Snap Ring; No Internal Special Features |
| Category | Single Row Ball Bearing |
| UNSPSC | 31171504 |
| Harmonized Tariff Code | 8482.10.50.68 |
| Noun | Bearing |
| Keyword String | Ball |
| Manufacturer URL | http://www.nachi.com |
| Manufacturer Item Number | 6808 ZZE //P0/00S61 |
| Weight / LBS | 0.07 |
| Outer Race Width | 0.276 Inch 7 Millimeter |
| Outside Diameter | 2.047 Inch 52 Millimeter |
| Bore | 1.575 Inch 40 Millimeter |
| Bore Type | Cylindrical Bore |
| Configuration | Single Row |
| Bore Size | 40 mm |
| Width | 7 mm |
| Fillet Radius/Chamfer | 0.3 mm |
| Dynamic Load Rating | 5,950 N |
| Static Load Rating | 4,900 N |
| Limiting Speed - Grease | 12,000 rpm |
| Factor fo | 16.2 |
| Radial Clearance | 0.006 to 0.020 mm |



BEARING PRECISION AXLE CORP.

| | |
|----------|--------|
| da (min) | 42 mm |
| Da (max) | 50 mm |
| ra (max) | 0.3 mm |