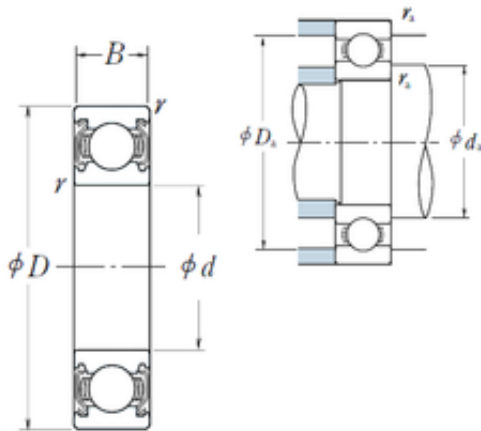




BEARING PRECISION AXLE CORP.

30 mm x 42 mm x 7 mm SSN512 Bearing

Bearing No. 6806ZZ



6806ZZ Bearing 2D drawings and 3D CAD models

Size	30x42x7 mm
Bore Diameter	30 mm
Outer Diameter	42 mm
Width	7 mm
d	30 mm
D	42 mm
B	7 mm
C	7 mm
r min.	0,3 mm
da min.	32 mm
da max	32 mm
Da max.	40 mm
ra max.	0,3 mm
Weight	0,024 Kg
Basic dynamic load rating (C)	4,7 kN
Basic static load rating (C0)	3,65 kN
(Grease) Lubrication Speed	15 000 r/min
Category	Single Row Ball Bearings
Inventory	0.0
Manufacturer Name	NSK
Minimum Buy Quantity	N/A
Weight / Kilogram	0.024
EAN	0029176066597
Product Group	B00308
Enclosure	2 Metal Shields
Precision Class	ABEC 1 ISO P0



BEARING PRECISION AXLE CORP.

Maximum Capacity / Filling Slot	No
Rolling Element	Ball Bearing
Snap Ring	No
Internal Special Features	No
Cage Material	Steel
Internal Clearance	C0-Medium
Inch - Metric	Metric
Long Description	30MM Bore; 42MM Outside Diameter; 7MM Outer Race Diameter; 2 Metal Shields; Ball Bearing; ABEC 1 ISO P0; No Filling Slot; No Snap Ring; No Internal Special Features
Category	Single Row Ball Bearing
UNSPSC	31171504
Harmonized Tariff Code	8482.10.50.68
Noun	Bearing
Keyword String	Ball
Manufacturer URL	http://www.nskamericas.com
Weight / LBS	1.181
Outer Race Width	0.276 Inch 7 Millimeter
Outside Diameter	1.654 Inch 42 Millimeter
Bore	1.181 Inch 30 Millimeter
SRI	1.81
hidYobi	6806ZZ
LangID	1
D_	42
SREX	0.015
B_	7
da min	32
hidTable	ecat_NSRDGB



BEARING PRECISION AXLE CORP.

SRE	1.81
mass	0.024
GRS rpm	15000
ra	0.3
SRIX	0.015
D_a	40
SRIN	-0.015
C0	3.65
fo	16.4
SREN	-0.015
DE_	39.3
Prod_Type3	DGBB_SR_ZZ
DA_	3.5
bomp	0
Z_	18
yobi	6806ZZ
C_conv	4700
ALPHA_	0
SDM_	35.8
r	0.3
KBRG	6141
SBRG	18
DI_	32.3