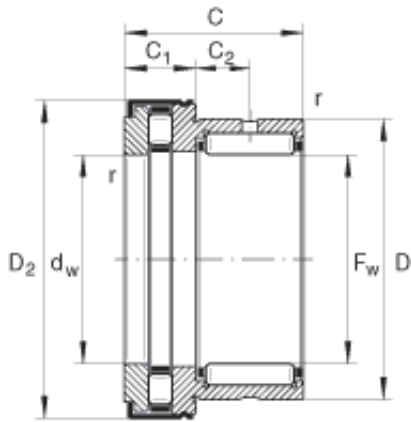




BEARING PRECISION AXLE CORP.



KRX18X40X46.5-3 Cam Follower Bearing / Printing Machine Bearing 18*40*46.5mm

Bearing No. NKXR45-Z

NKXR45-Z Bearing 2D drawings and 3D CAD models

Size	45x58x32 mm
Bore Diameter	45 mm
Outer Diameter	58 mm
Width	32 mm
F_w	45 mm
D	58 mm
C - 32 mm / Tolerance: -0,25	32 mm / Tolerance: 0,25
C_1 - 14 mm / Tolerance: -0,2	14 mm / Tolerance: 0,2
C_2	9 mm
$D_{2 \max}$	66,5 mm
d_a	60,6 mm
d_w	45 mm / Tolerance: E8
$r_{a \max}$	0,6 mm
r_{\min}	0,6 mm
	NAXR45Z / Designation to DIN 5429
m	260 g / Weight
C_r	31000 N / Dynamic load rating (radial)
C_{0r}	53000 N / Static load rating (radial)
C_a	59000 N / Dynamic load rating (axial)
C_{0a}	163000 N / Static load rating



BEARING PRECISION AXLE CORP.

	(axial)
C_{ur}	9300 N / Fatigue limit load, radial
C_{ua}	16000 N / Fatigue limit load, axial
n_G	5000 1/min / Limiting speed
n_B	1900 1/min / Reference speed
	IR40X45X20 / Suitable inner ring
Category	Thrust Roller Bearing
Inventory	0.0
Manufacturer Name	SCHAEFFLER GROUP
Minimum Buy Quantity	N/A
Weight / Kilogram	0.1
Product Group	S02250
Rolling Element	Combination - Needle Roller and Thrust Roller Bearing
Self Aligning	No
Component Description	Roller Assembly plus Raceways
Thrust Bearing	Yes
Single or Double Direction	Single Direction
Banded	No
Cage Material	Steel
Precision Class	ABEC 1 ISO P0
Other Features	With Grease Retaining Cap
Long Description	45MM Bore 1; 45MM Bore 2; 58MM Outside Diameter; 32MM Height; Combination - Needle Roller and Thrust Roller Bearing; Single Direction; Not Self Aligning; Not Banded; Steel Cage; ABEC 1 ISO P0; Rolle



BEARING PRECISION AXLE CORP.

Inch - Metric	Metric
Category	Thrust Roller Bearings
UNSPSC	31171537
Harmonized Tariff Code	8482.80.00.80
Noun	Bearing
Keyword String	Combination
Manufacturer URL	http://www.ina.com
Manufacturer Item Number	NKXR45Z
Weight / LBS	0.538
Height	1.26 Inch 32 Millimeter
Overall Height with Aligning Washer	0 Inch 0 Millimeter
Outside Diameter	2.283 Inch 58 Millimeter
Bore 1	1.772 Inch 45 Millimeter
Bore 2	1.772 Inch 45 Millimeter